



Ulltraclad® UA6975 weatherboard (vertical) fixed with locator strip between boards (UA4535)  
 Locator strip fixed at max. 600 vertical centres with 6g x 2" CSK Sq. S/S self tapping screws through batten into stud

Building Underlay

Note: Ensure to alternate spacings of fixings for battens and locator lengths to avoid risk of splitting batten

Ulltraclad® UA4863 Vertical Starter Strip fixed to bottom plate @ 300 mm ctrs with: 6g x 2" CSK Sq. S/S self tapping screws (Through Cavibat)

Interior lining

Bottom plate over DPC

6 mm overhang (optional)

Concrete slab or blockwork

Cavity vent strip with 15mm drip edge

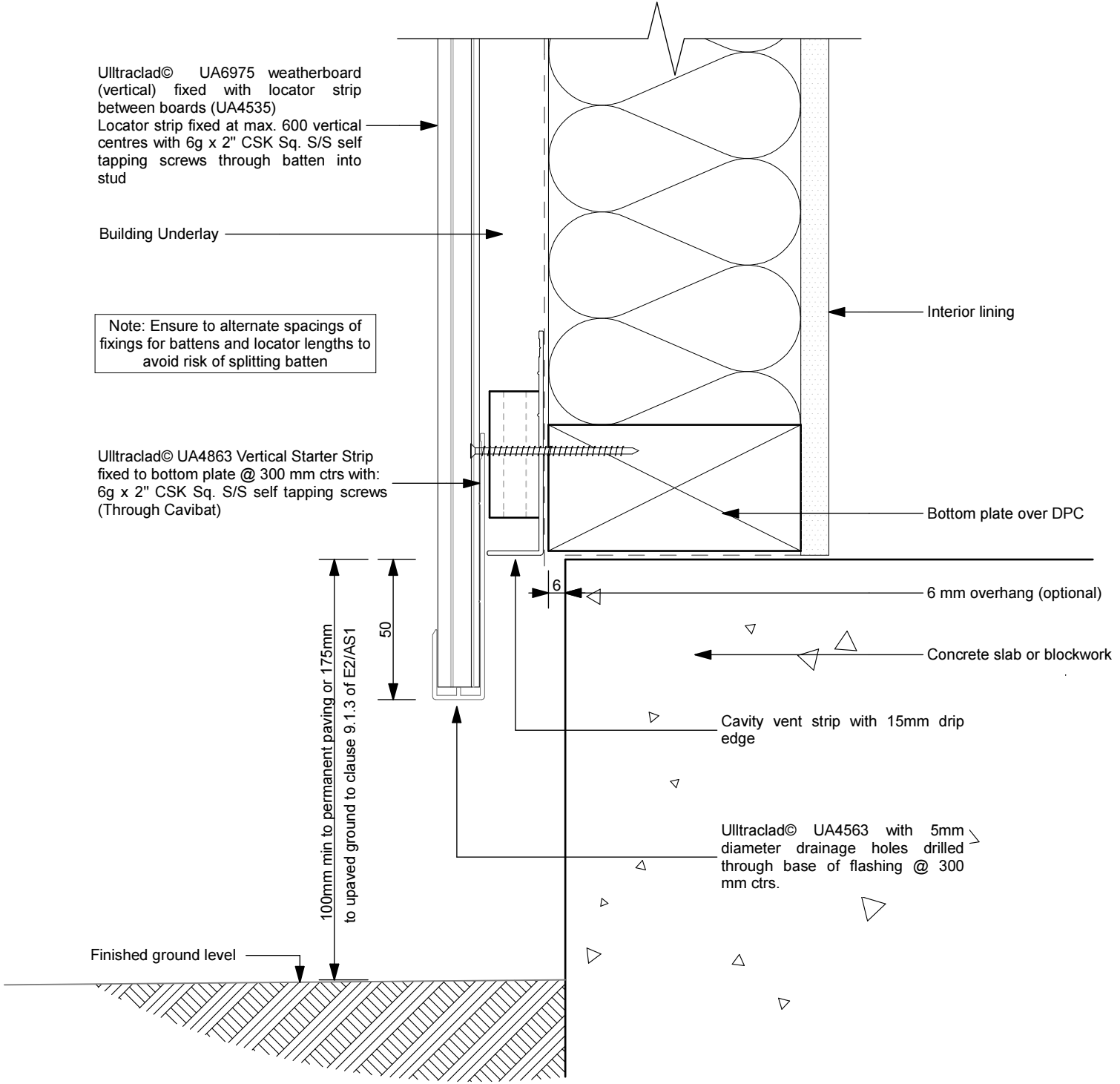
Ulltraclad® UA4563 with 5mm diameter drainage holes drilled through base of flashing @ 300 mm ctrs.

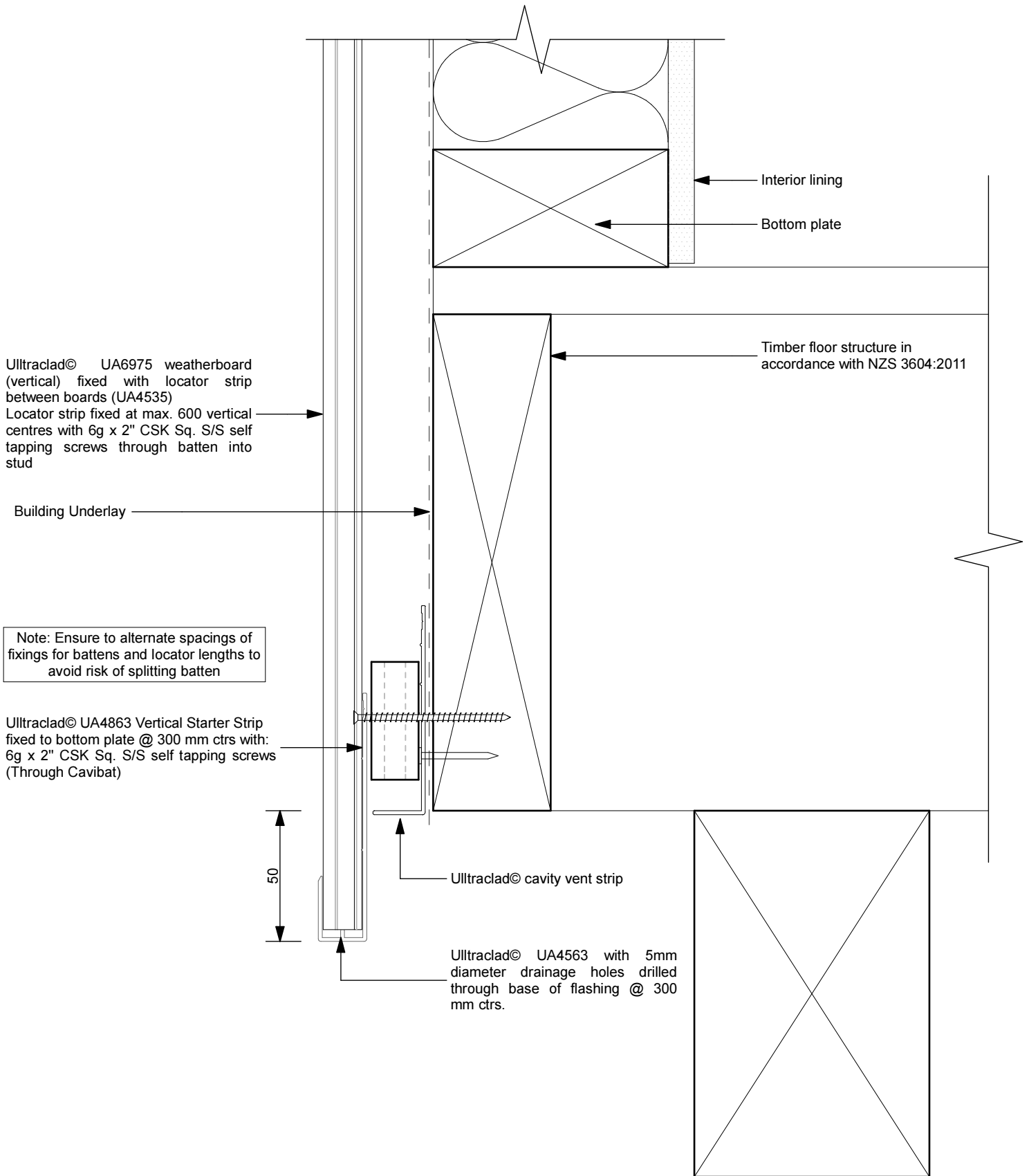
Finished ground level

100mm min to permanent paving or 175mm to paved ground to clause 9.1.3 of E2/AS1

50

6







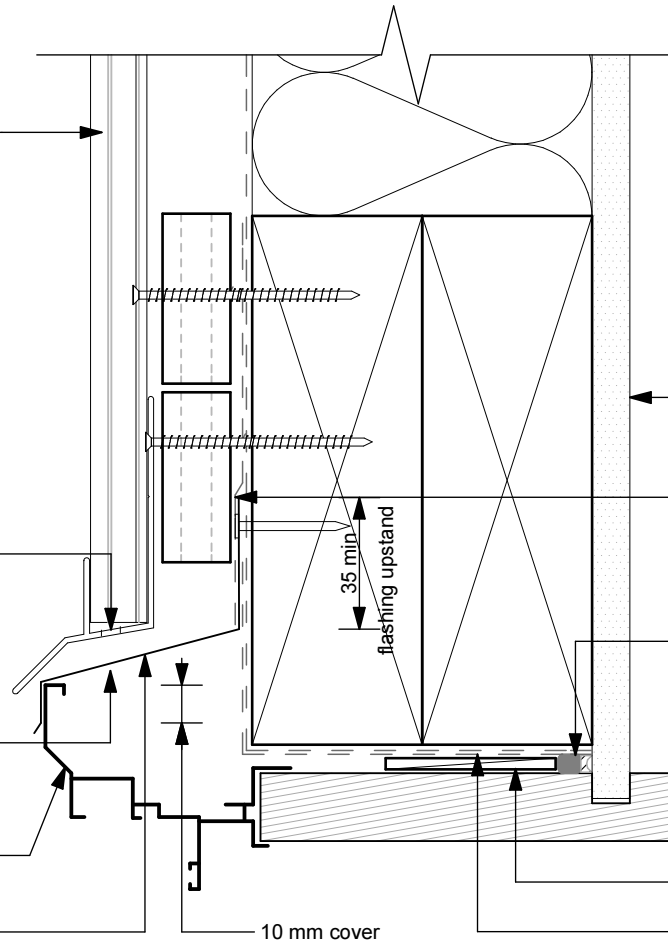
Ulltraclad<sup>®</sup> UA6975 weatherboard (vertical) fixed with locator strip between boards (UA4535)  
Locator strip fixed at max. 600 vertical centres with 6g x 2" CSK Sq. S/S self tapping screws through batten into stud

Ulltraclad<sup>®</sup> UA4533 Head Flashing. 5mm diameter drainage holes drilled through base of flashing @ 300 mm ctrs. fixed to lintel @ 300 mm ctrs with: 6g x 2" CSK Sq. S/S self tapping screws

Window head flashing (15° slope) and stop end.  
(Note: Not supplied with Ulltraclad<sup>®</sup> system - contractor to supply as additional flashing)

Window frame (Note: refer to window manufacturer for method of support and fixing)

5 mm gap between head flashings



Note: Ensure to alternate spacings of fixings for battens and locator lengths to avoid risk of splitting batten

Interior lining

Building underlay continuous behind head flashing and into opening. Flashing tape over top of head flashing

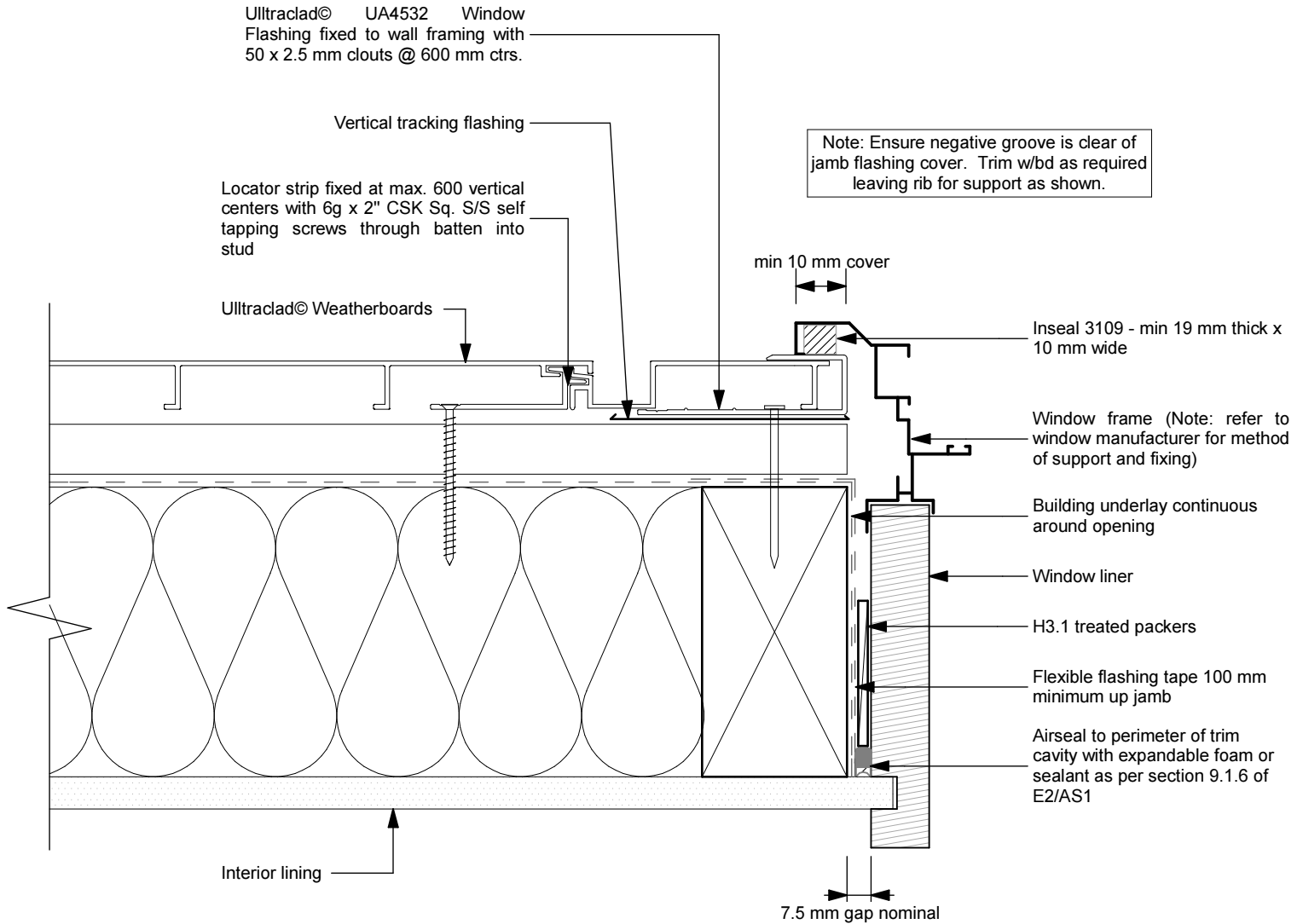
Airseal to perimeter of trim cavity with expandable foam or sealant as per section 9.1.6 of E2/AS1

7.5 mm gap nominal

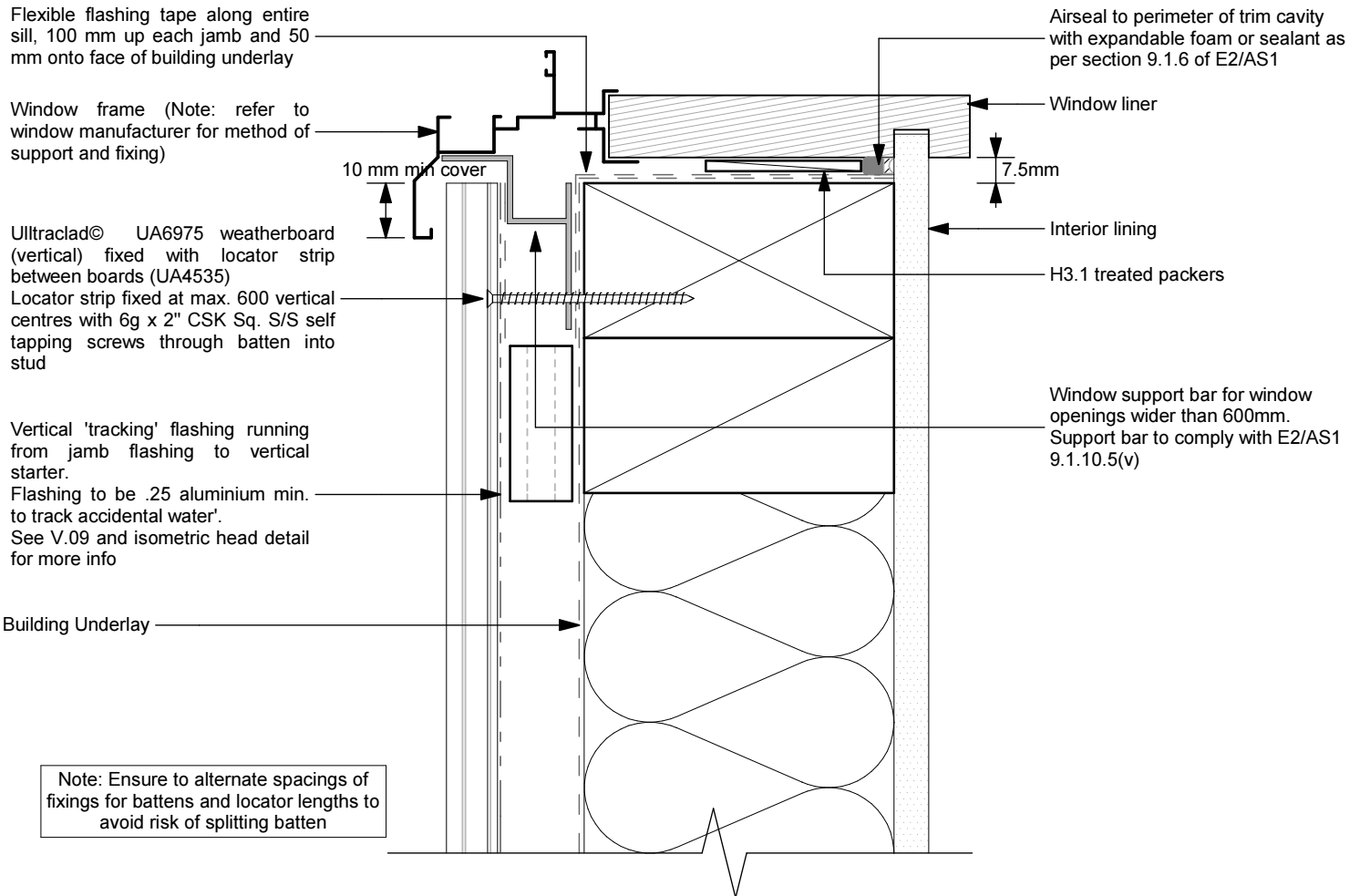
Window liner

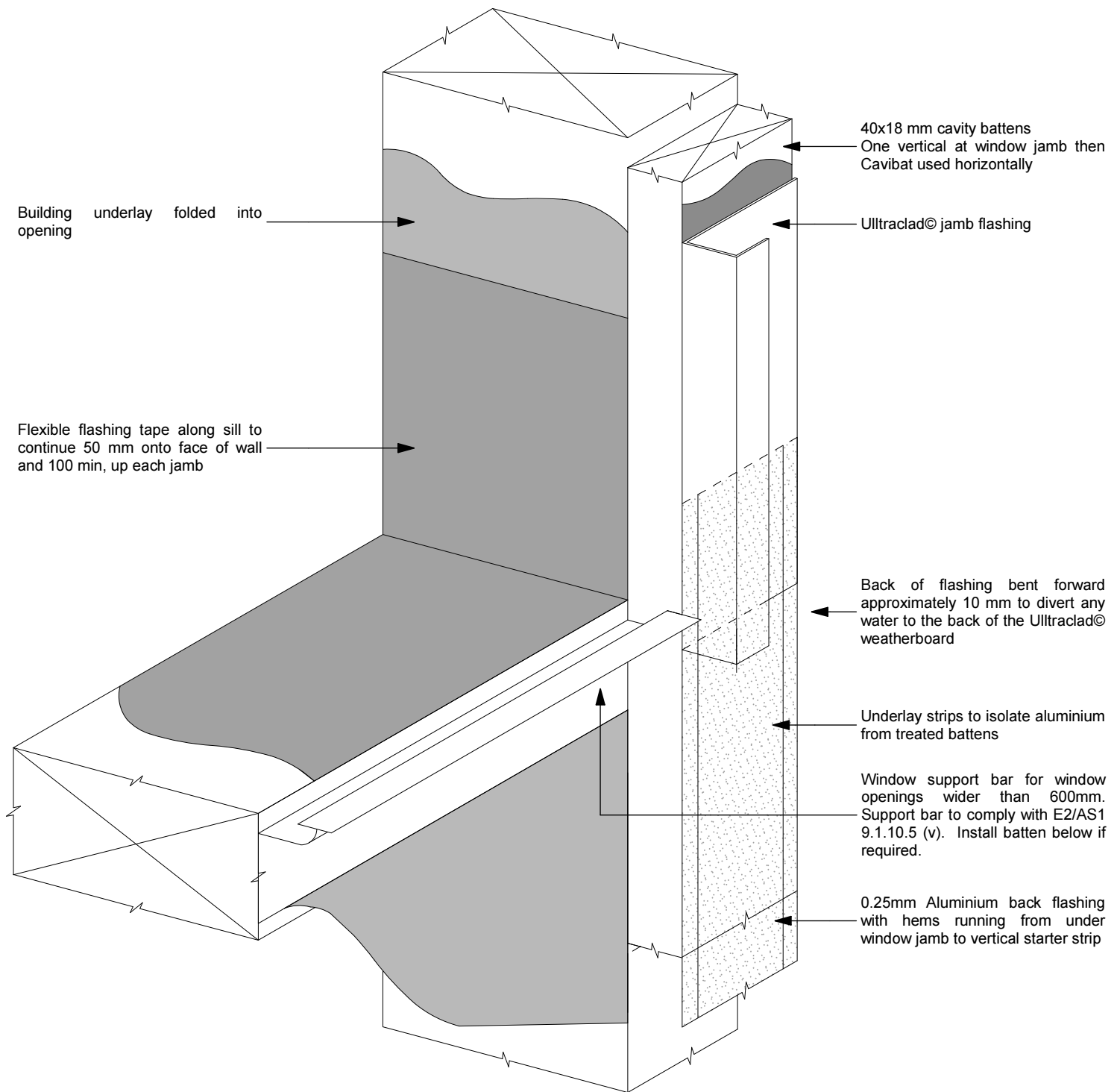
H3.1 treated packers

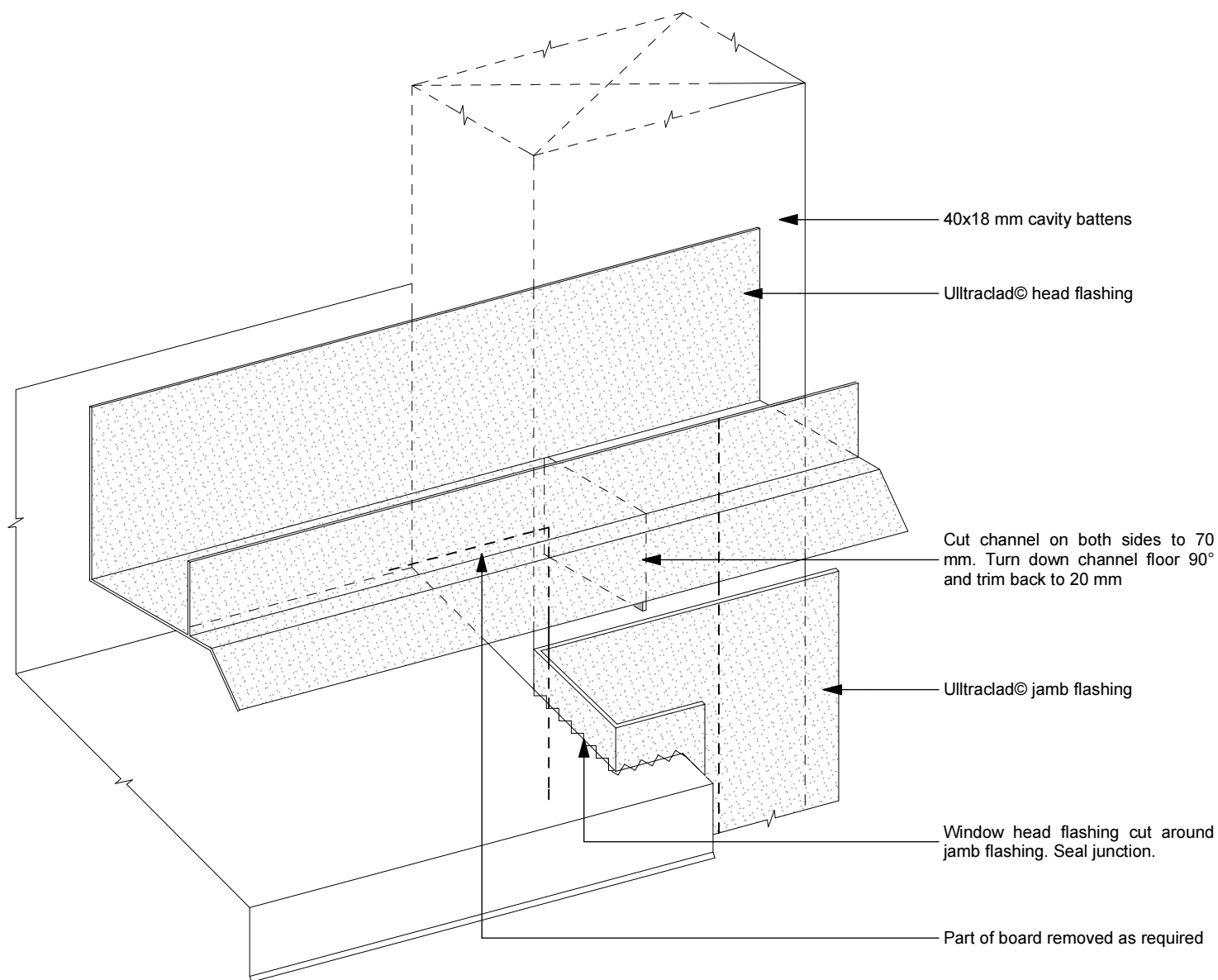
Flexible flashing tape at corners



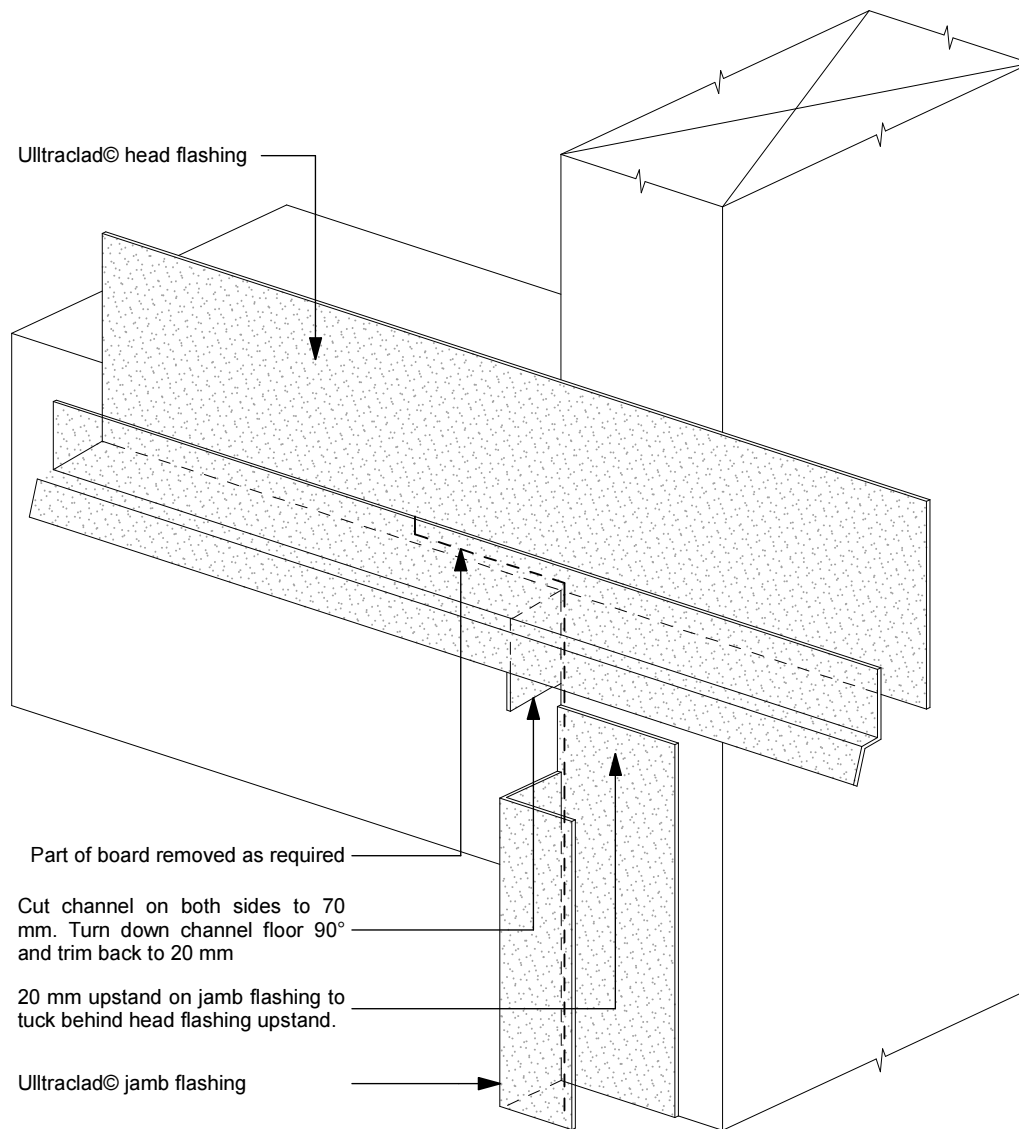




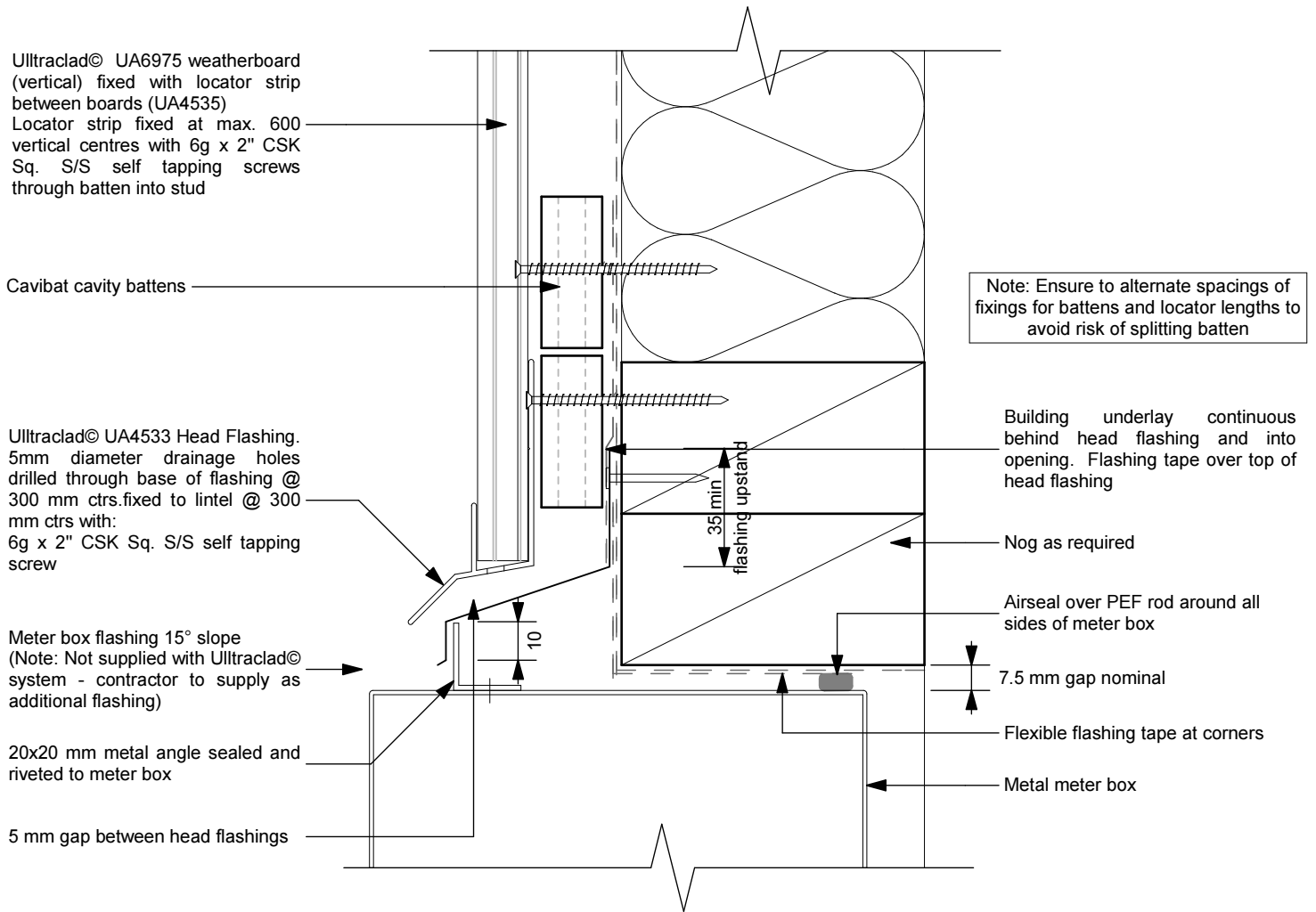




Note: Ulltraclad<sup>®</sup> Head Flashing to extend 80 mm past edge of window or door joinery. Building underlay and flashing tape omitted for clarity



Note: Ulltraclad<sup>®</sup> Head Flashing to extend 80 mm past edge of window or door joinery. Building underlay and flashing tape omitted for clarity





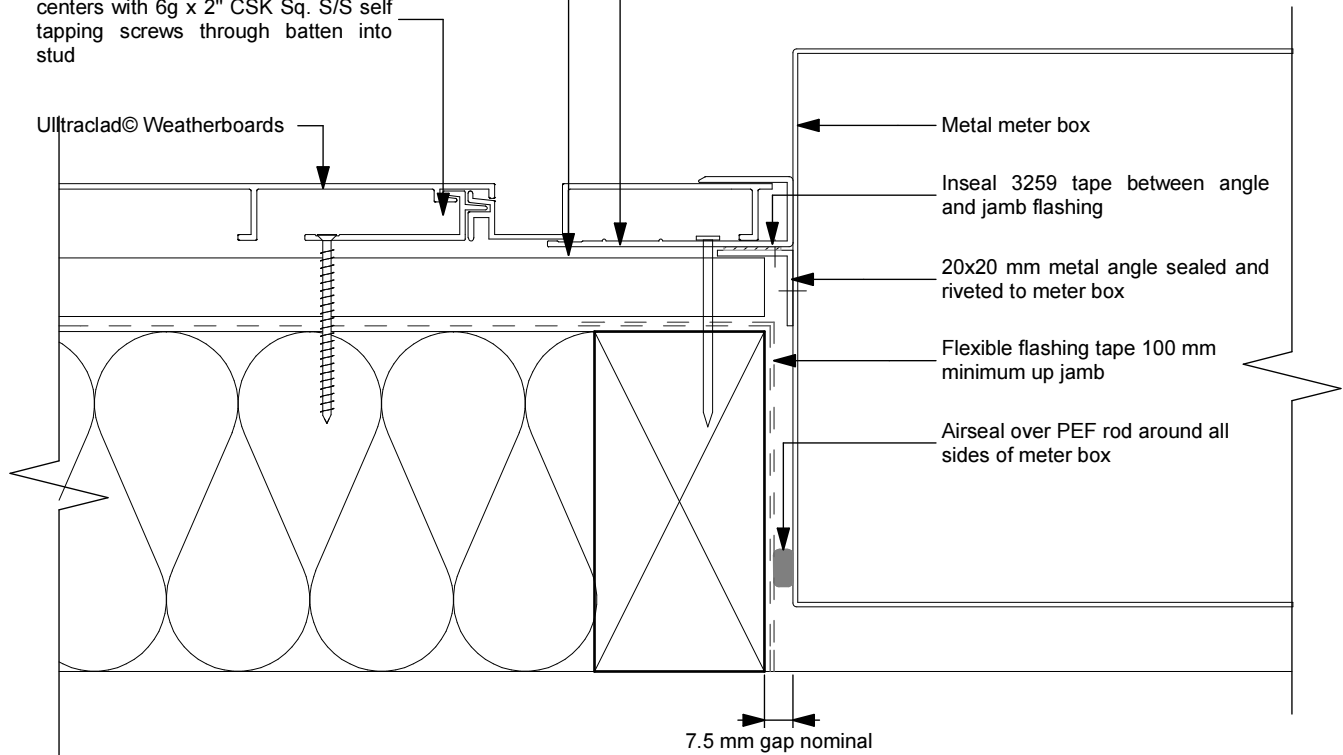
Ulltraclad<sup>®</sup> UA4532 Window  
Flashing fixed to wall framing with  
50 x 2.5 mm clouts @ 600 mm ctrs.

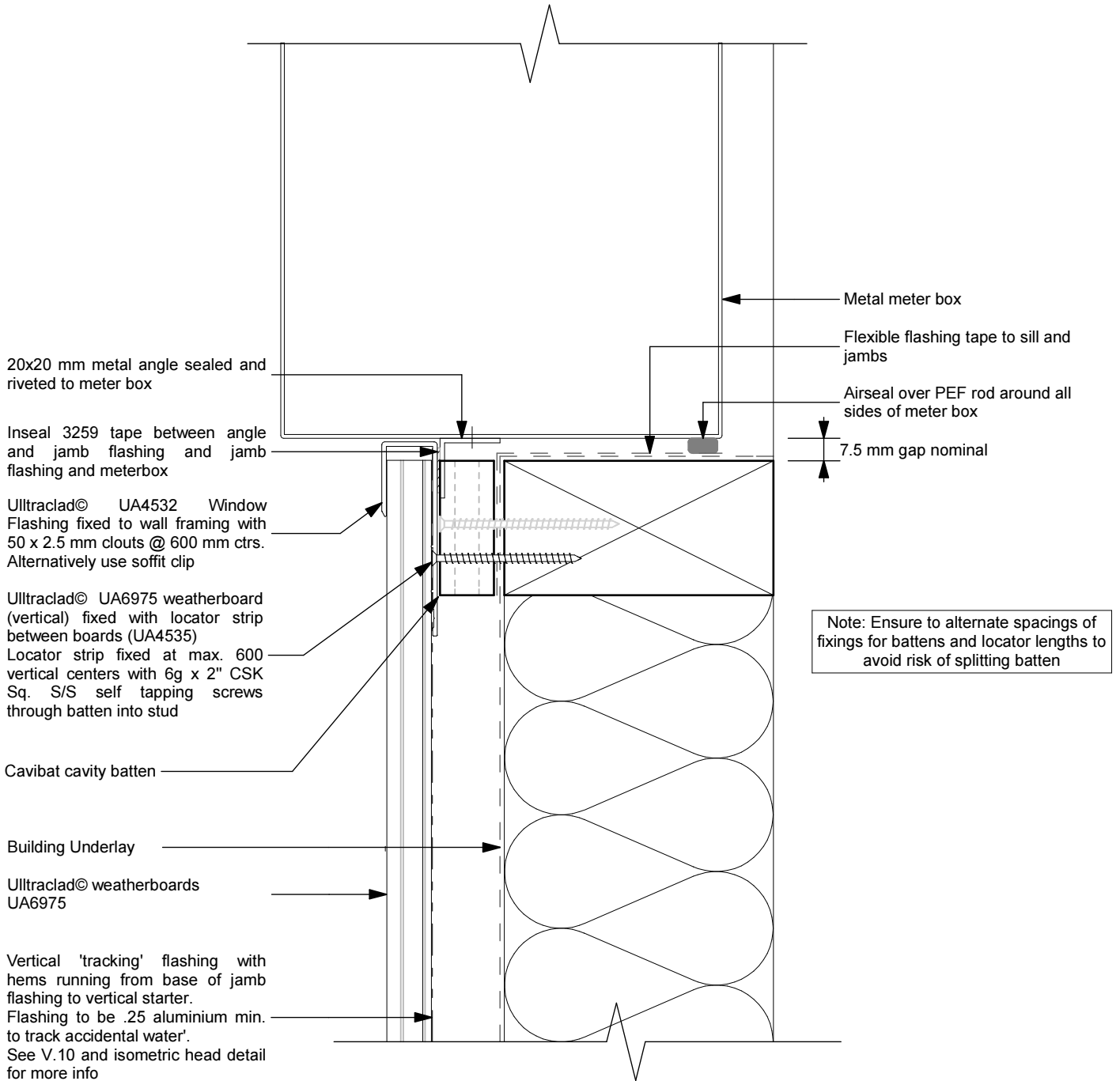
Cavibat cavity battens

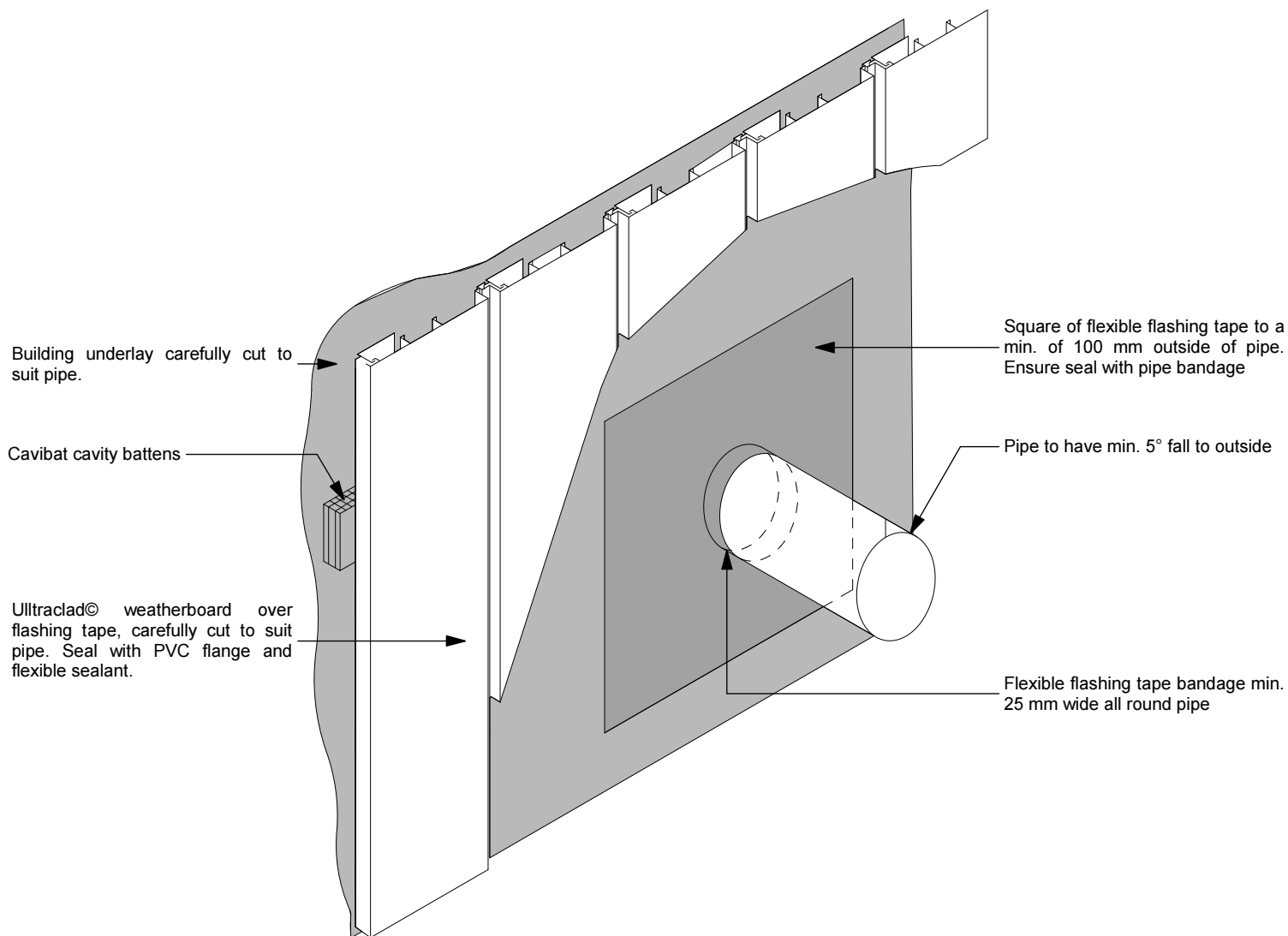
Locator strip fixed at max. 600 vertical  
centers with 6g x 2" CSK Sq. S/S self  
tapping screws through batten into  
stud

Ulltraclad<sup>®</sup> Weatherboards

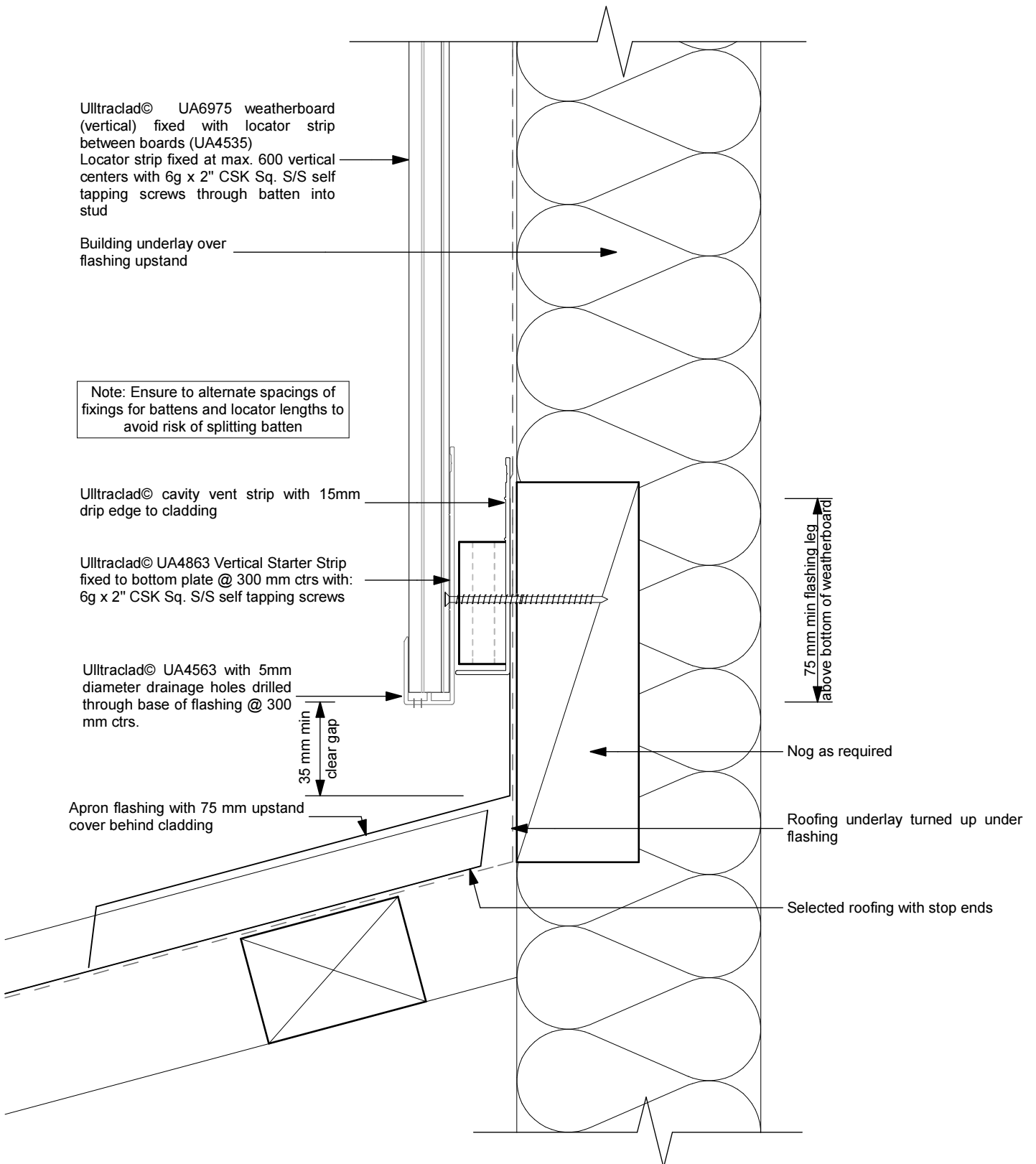
Note: Ensure negative groove is clear of  
jamb flashing cover. Trim w/bd as required  
leaving rib for support as shown.

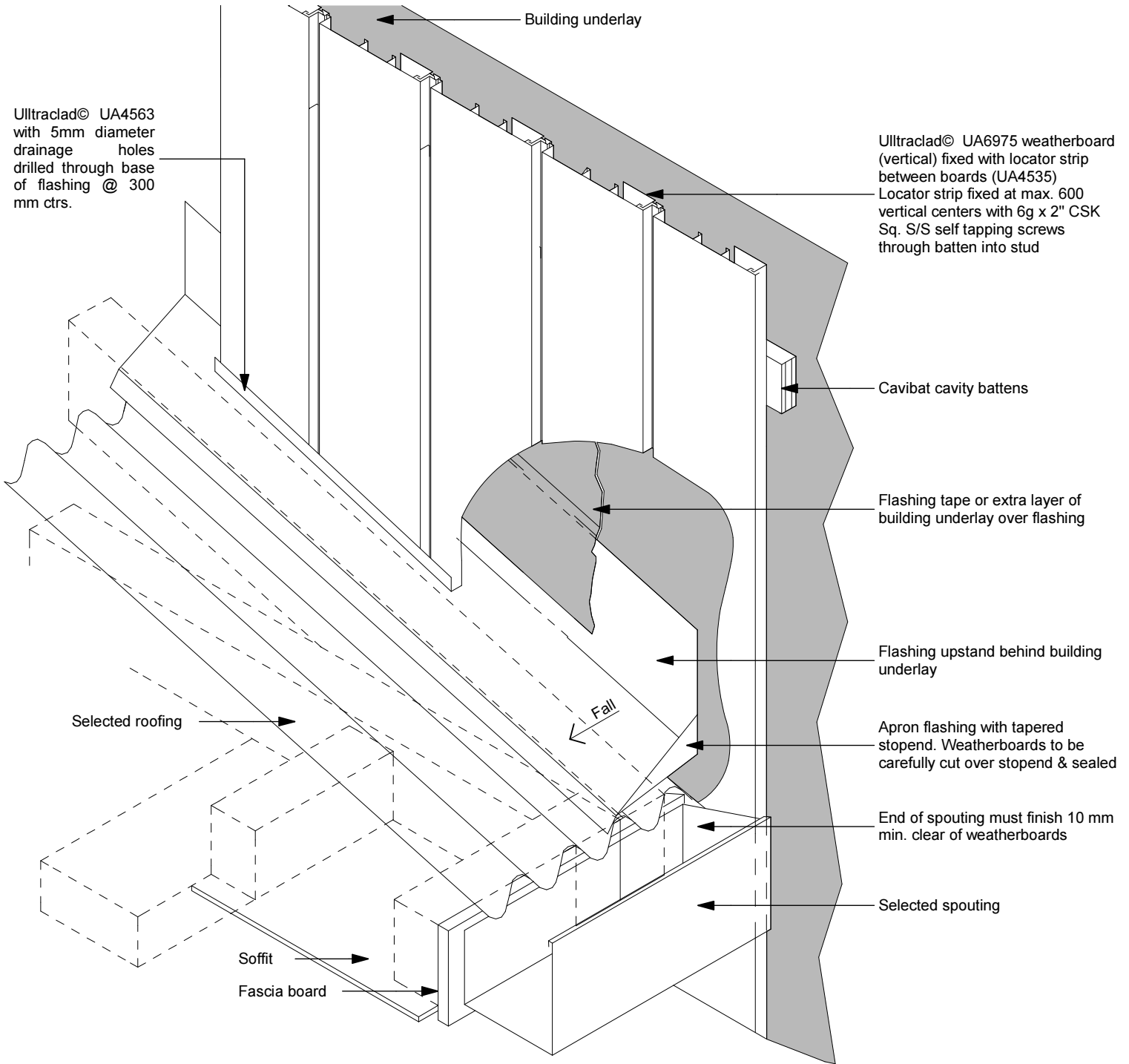












Refer to E2/AS1 Table 7 for apron flashing cover requirements over roof cladding

